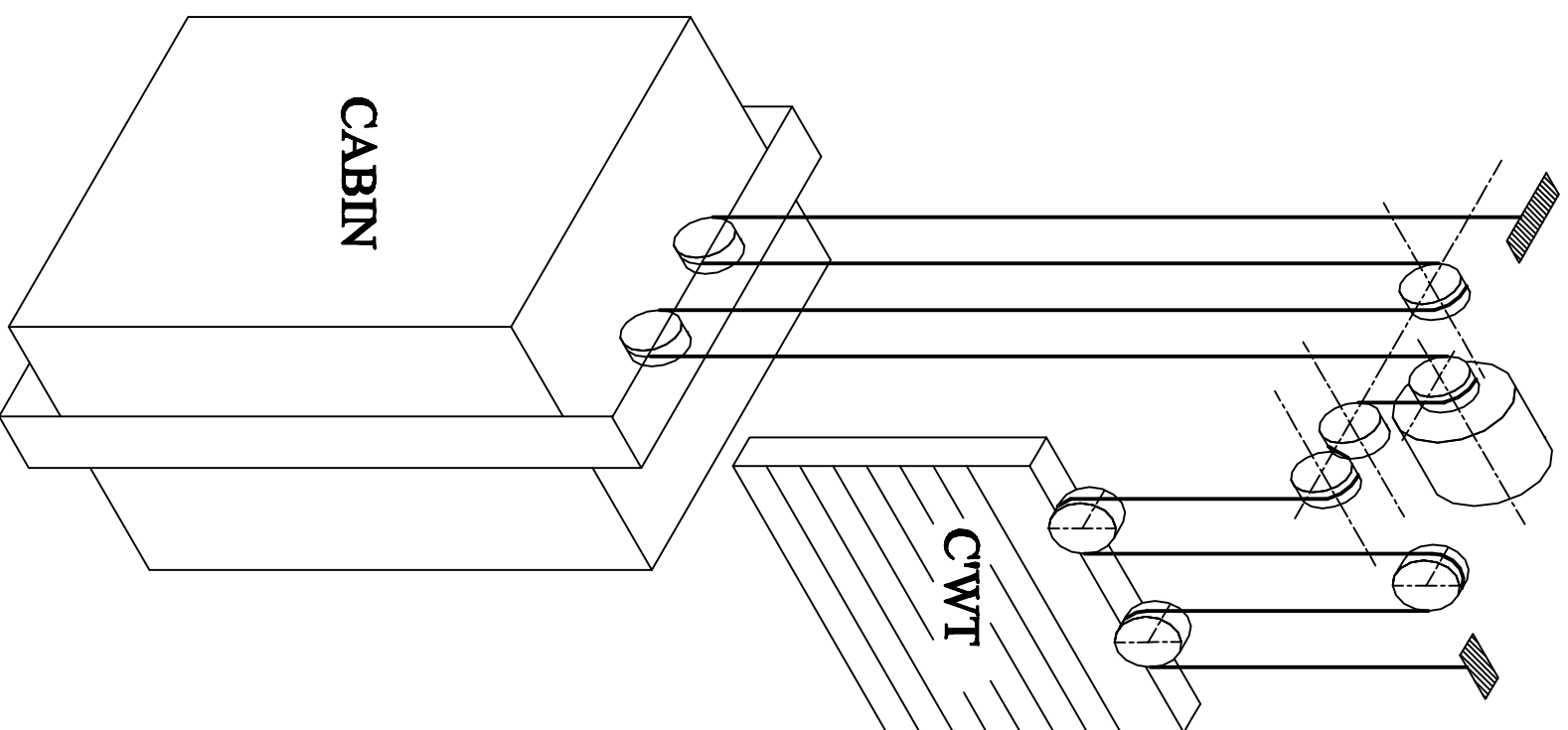
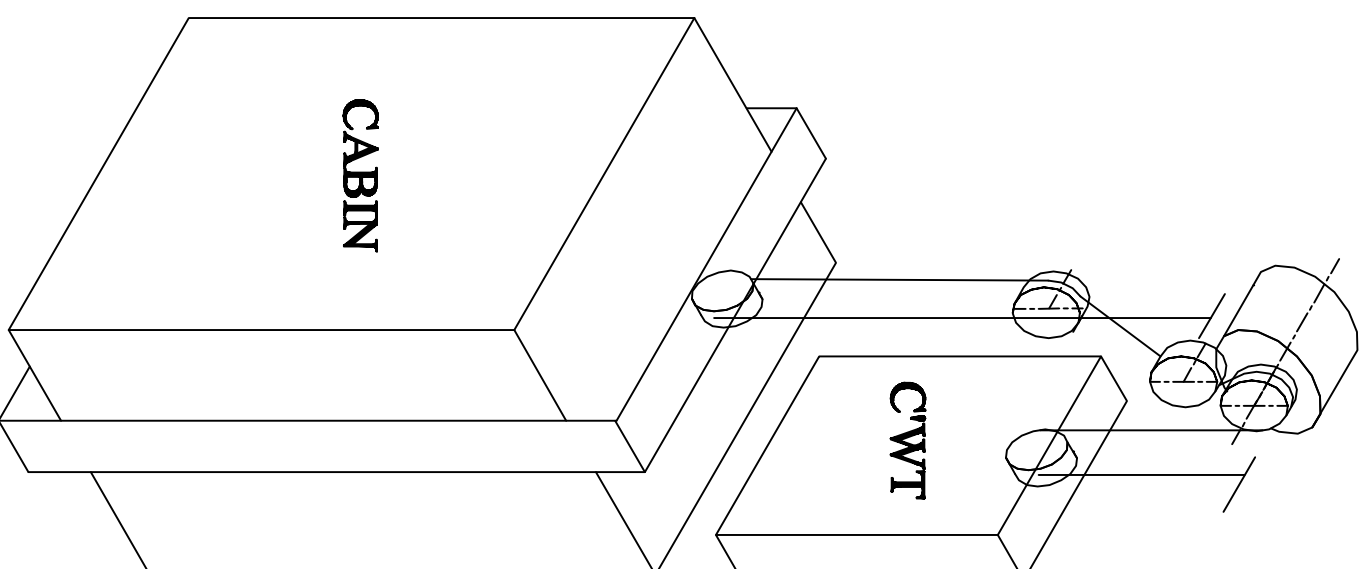


4:1 ROPING



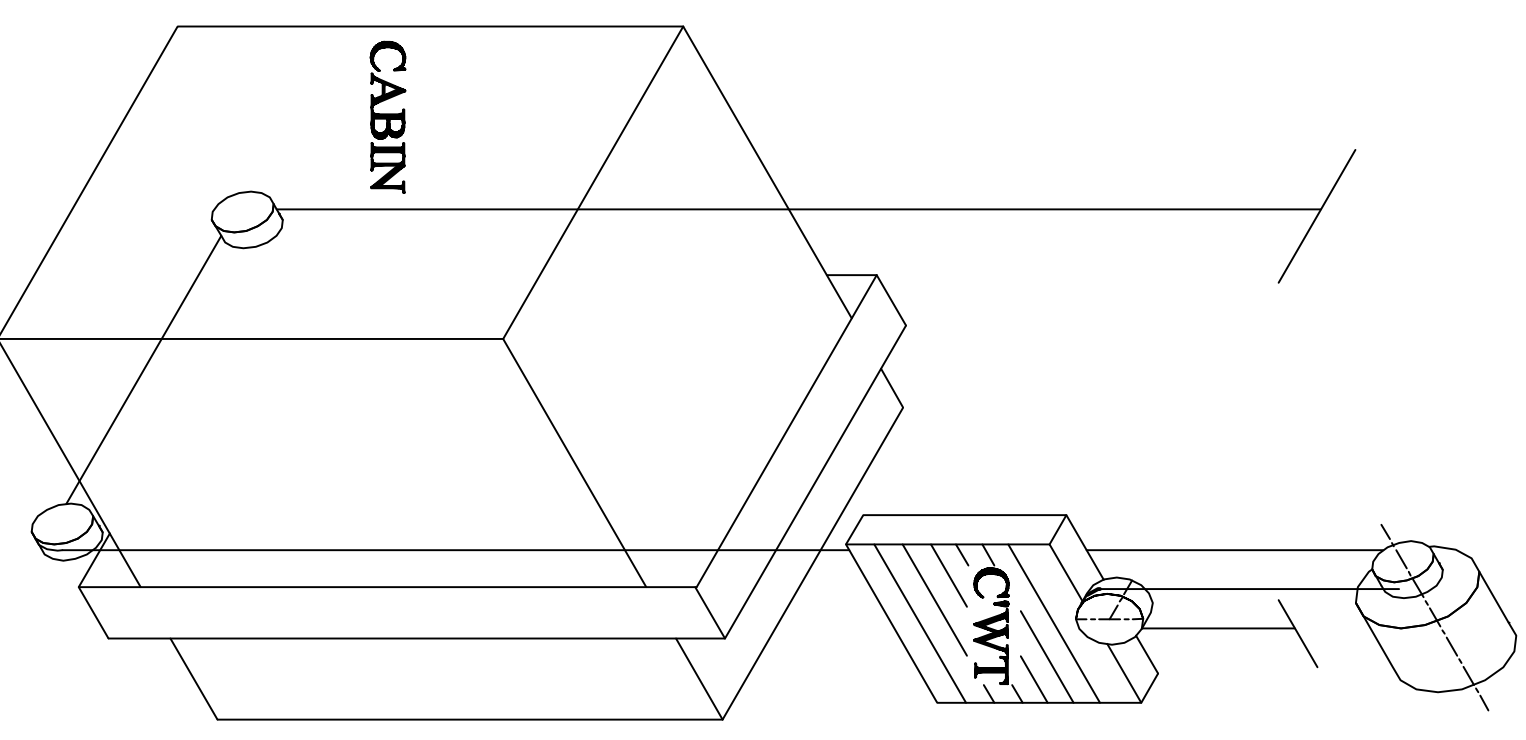
**GENERAL ROPING ARRANGMENT
FOR 4:1 ROPING**

2:1 ROPING



**GENERAL ROPING ARRANGMENT
FOR REAR SIDE CWT**

2:1 ROPING



**GENERAL ROPING ARRANGMENT
FOR PULLEY BELOW THE
PLATFORM**